



CST-BAE-AMP-1033

RF Engineering &
Custom Build

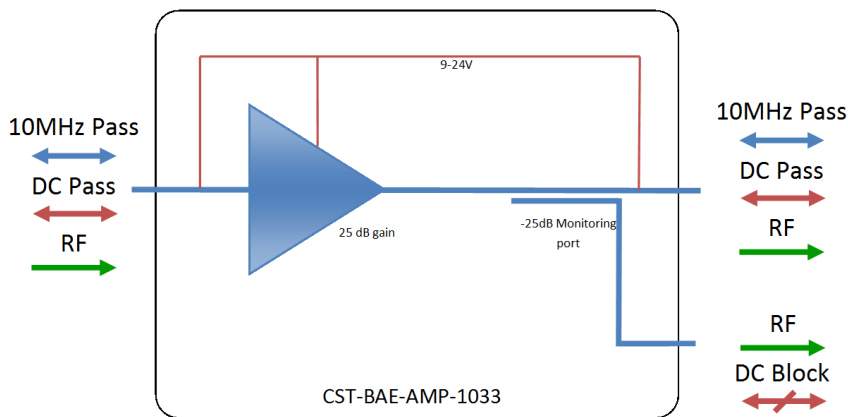
Custom ODU L-band Amplifier & Coupled Port



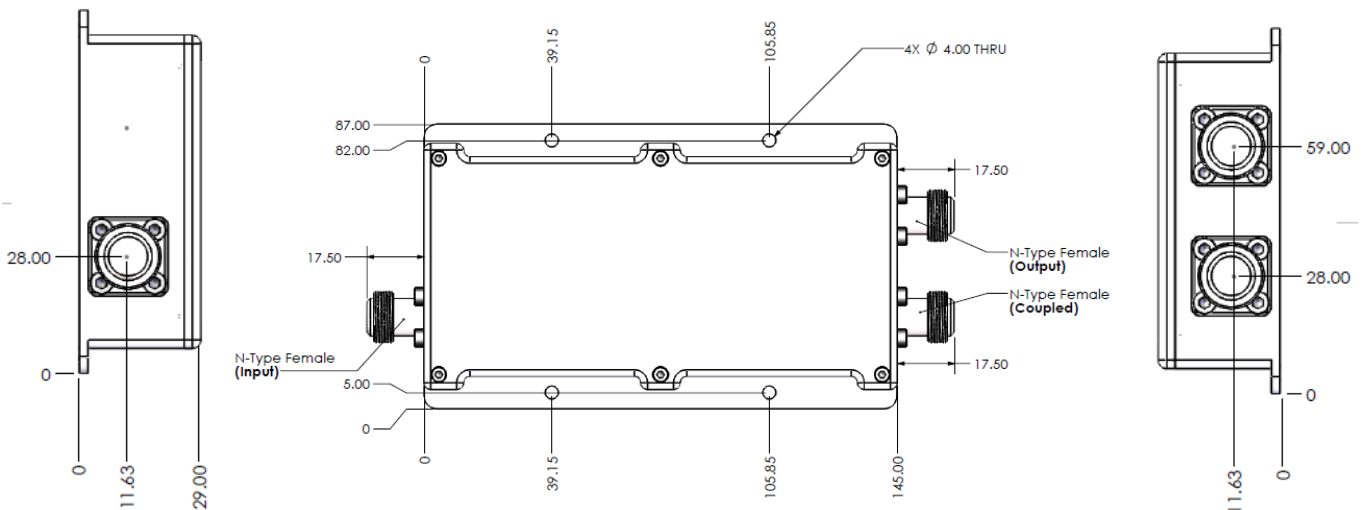
CST-BAE-AMP-1033 is a custom designed L-band ODU amplifier with 25 dB gain over 950 to 2000 MHz and Bi-directional DC and 10 MHz pass on the through path. It also has an integrated -25dB Coupled port with DC block.

This unit requires 9 to 24V DC power inline via the input or output port and is fitted with female 50 Ω N-type female RF ports.

Vector diagram



Physical Dimensions



BROADCAST



MARINE OIL & GAS



SNG & VSAT



SATELLITE TELEPORT





CST-BAE-AMP-1033

RF Engineering &
Custom Build

Custom ODU L-band Amplifier & Coupled Port

Performance Specification

Parameter	Specification	Comments
Frequency	950 to 2000MHz	10 MHz & DC pass is Bidirectional
RF ports	50Ω N-type	Female. All RF ports
Gain	25±1.5 dB	Fixed gain
Gain flatness	±1.5 dB	
Input Return Loss	18dB typ., 14dB min	
Output Return Loss	18dB typ., 14dB min	
1dB GCP	20 dBm min	
Noise Figure	10dB max	
DC requirement (Voltage)	9 to 24V	Internal regulator fitted. In line power supply, i.e. DC feed on o/p RF port per fig.1.
DC requirement (Current)	160mA typ. 200mA max	For internal amp consumption..
10 MHz insertion loss	1 dB typ	3dB Max
Monitoring Port		
Coupling Factor	-25± 2dB	In relation to output level
Flatness	± 2dB	
Return Loss	14 dB min	
RF ports	50Ω N-type	FCoupled Port is DC blocked.
Environmental conditions		
Operating Temperature (°C)	-20 to 65°C	Rate of change of temperature not to exceed 1°C/min
Storage Temperature (°C)	-40°C to +75°C	
Location	Outdoor	
Humidity	20 to 90% non-condensing	Relative Humidity
Altitude	10,000 ft AMSL Operational	Above mean sea level
Altitude	30,000 ft AMSL Storage & transport	Above mean sea level
IP Rating	IP65	By design. IP rating test will not be taken on by ETL.
Physical Dimensions & Parameters		
Weight	TBA	TBC
Dimensions	Shall not exceed 87*180*30 (mm)	
Colour	White, RAL 9003 (Fine Texture, Epoxy Polyester Powder Paint)	Back of the base (mounting face) free of paint.
Housing	Aluminium with mounting holes. Drawing to be agreed.	The amp modules are aluminium, not painted.
Mounting	Fixing holes per drawing	Use suitable screw and washers.

ETL SYSTEMS LIMITED
Coldwell Radio
Station
Madley
Hereford
England HR2 9NE

TELEPHONE
+44 (0)1981 259020

EMAIL
info@etlsystems.com

FACSIMILE
+44 (0)1981 259021

WEB
www.etlsystems.com



V 1.0 E&OE